

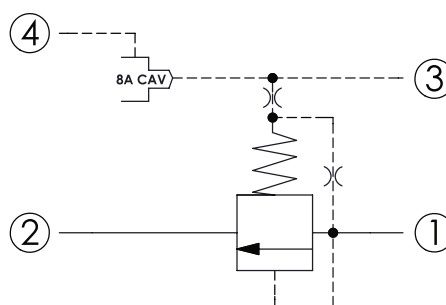
CRV-22A - Relief valve

Ventable, pilot operated, balanced piston with external drain with integral 8A control cavity

1 Available versions

Ordering example:

CRV-22A	-40	-D	-8
Type	Operation	Spring	Cavity



- 1 Inlet
- 2 Outlet
- 3 Vent
- 4 Drain

Operation

Coding	Description
40	Standard Type

Spring

Coding	Minimum control pressure (bar)
D	1.7 (25 psi)
W	7 (100 psi)

i INFORMATION

W spring is suit for higher pressure drop application.

Cavity

Coding	Cavity
8	T-8A

i INFORMATION

- Applications: please refer to CPRB-8A-2D..., CRPA-8A-2D...-74

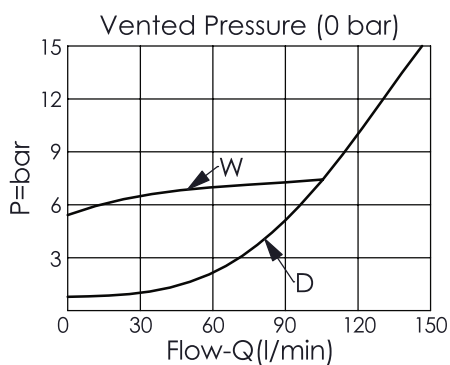
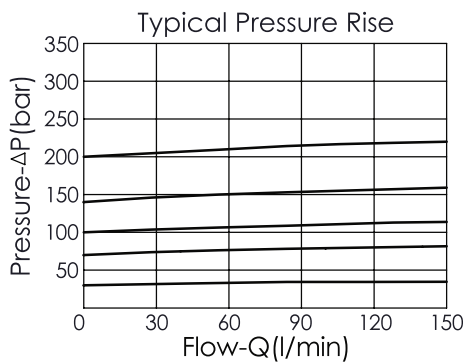
2 Technical data

Operating pressure p_{max}	350 bar
Flow rate Q_{max}	120 l/min
Installation torque	60 - 70 Nm
Cavity	T-22A
Weight	0.249 kg

i INFORMATION

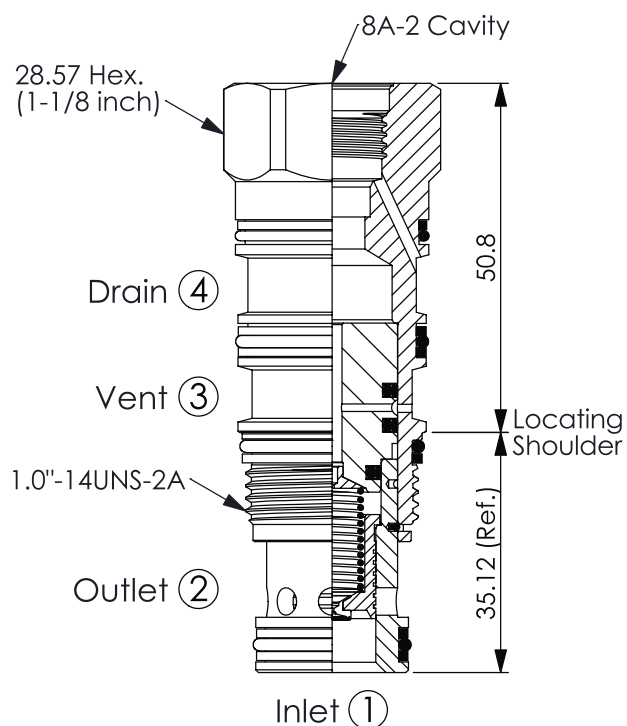
- Response time-typical (10 ms)
- Maximum leakage approximately (50 cm³/min/70 bar)
- Will accept maximum pressure at port **2**, suitable for use in cross port relief circuits. If used in cross port relief circuits, consider spool leakage.
- Back pressure of port **4** will increase pilot pressure of port **1** at ratio 1:1, plus pressure of bias spring.
- Pressure at port **4** should not allow over 350 bar.

Characteristic lines



3 Dimensions

All dimensions in mm, subject to change.



4 Other information

see [Technical information HAWE cartridge valves: D 8219](#)

see [Recommendation for hydraulic fluid: D 5488/1](#)

